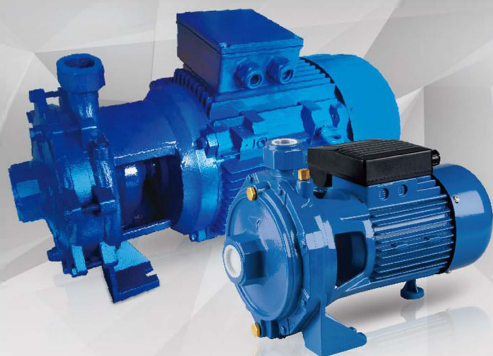


# SCM2 and SDPT



## SCM2 and SDPT series two stage centrifugal pump

### cast iron

Motor housing: aluminum

Shaft: 45# steel /stainless steel

## Applications and Installation

Centrifugal pumps with double impeller are able to offer high flow rates, provide smooth, nonpulsating delivery, and regulate the flow rate over a wide range without damaging the pump.

For the correct functioning of the pump, use clean water, or non-aggressive liquids charged with small solid impurities.

To be used in flow irrigation system in gardening, agriculture and industrial fittings.

Pumps should be installed in a covered area, protected against the weather.

## Construction Features

Pump Body: cast iron

Motor Housing: aluminum

Shaft: 45# steel/stainless steel

Impeller: brass

Motor: closed, externally ventilated

Insulation Class: B/F

Protection Class: IP44/IP54

Duty: continuously rated

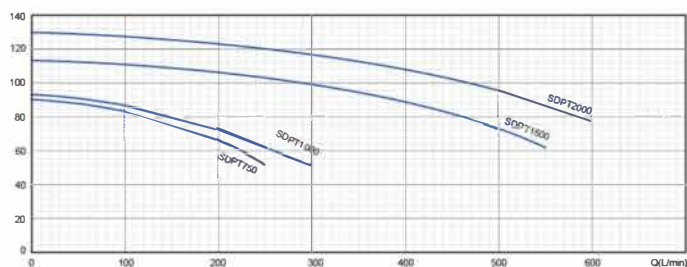
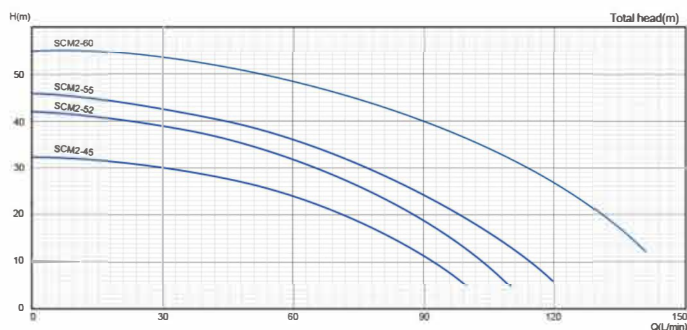
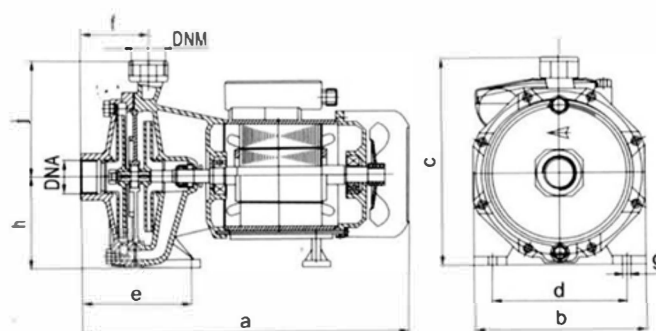
Mechanical Seal: ceramic steatite/ metalized carbon

## Operating Limitations

Max ambient temperature up to 40°C

Max fluid temperature up to 80°C

Max pressure up to 10 bar



## SCM2

Model	HP	kW	DNA/DNM	Suct.Max m	Q.Max L/min	H.Max m	Q. L/min	0	20	40	60	80	100	110	120	140	Packing Dimension mm
SCM2-45	1	0.75	1.25"/1"	9	100	32		32	31	28.5	24	16.5	5				358x200x250
SCM2-52	1.5	1.1	1.25"/1"	9	110	42	H(m)	42	40.5	37	32	24	12.5	5			420x230x280
SCM2-55	2	1.5	1.25"/1"	9	120	46		46	44	41	36	29	19.5	13	6		420x230x290
SCM2-60	3	2.2	1.5"/1.25"	9	140	55		55	54.5	52	49	43	36	32	27	12	420x230x290

Model	HP	kW	DNA/DNM	Suct.Max m	Q.Max L/min	H.Max m	Q. L/min	0	80	100	120	150	200	250	300	400	500	550	600	Packing Dimension mm
SDPT750	7.5	5.5	1.5"/1.25"	9	250	90		90	84	82	78	75	66	54						670x360x470
SDPT1000	10	7.5	1.5"/1.25"	9	300	95	H(m)	95	90.5	90	87	82	74	60	54					780x390x500
SDPT1500	15	11	1.5"/1.25"	9	550	112		112	110	109	108	107	105	102	97	85	70	62		780x390x500
SDPT2000	20	15	1.5"/1.25"	9	600	130		130	126	125	124	122.5	120	117	113	100	86	76	67	820x390x500